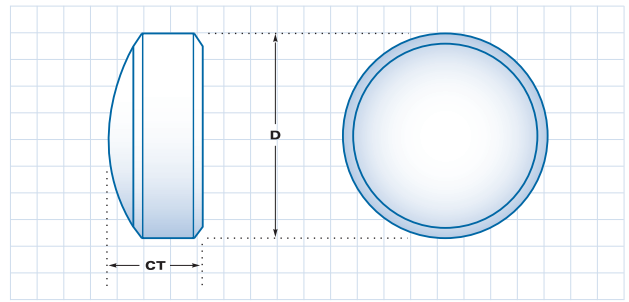


Spherical Plano Convex ZnSe Lens

(LPX)

SPECIFICATIONS

Material:	Laser Grade ZnSe
Surface Flatness:	< /20 @ 10.6 μm
Surface Quality:	< 40/20
Diameter Tolerance:	+0.000" / -0.010"
Thickness Tolerance:	±0.010"
Centering Error:	< 3 arcmin
Focal Length Tolerance:	±0.5%
Bevel:	0.015" FW @ 45°
Clear Aperture:	> 90% of diameter



P A R T N U M B E R			
(All units in inches)	FL @ 10.6μm	D	ET
LPX-0508-1.0-Z	1.00	0.50	0.080
LPX-0708-1.0-Z	1.00	0.75	0.080
LPX-1012-1.0-Z	1.00	1.00	0.120
LPX-1116-1.0-Z	1.00	1.10	0.160
LPX-1516-1.0-Z	1.00	1.50	0.160
LPX-0708-1.5-Z	1.50	0.75	0.080
LPX-1012-1.5-Z	1.50	1.00	0.120
LPX-1116-1.5-Z	1.50	1.10	0.160
LPX-1516-1.5-Z	1.50	1.50	0.160
LPX-0508-2.0-Z	2.00	0.50	0.080
LPX-0708-2.0-Z	2.00	0.75	0.080
LPX-1012-2.0-Z	2.00	1.00	0.120
LPX-1116-2.0-Z	2.00	1.10	0.160
LPX-1516-2.0-Z	2.00	1.50	0.160
LPX-2023-2.0-Z	2.00	2.00	0.236
LPX-0508-2.5-Z	2.50	0.50	0.080
LPX-0708-2.5-Z	2.50	0.75	0.080
LPX-1008-2.5-Z	2.50	1.00	0.080
LPX-1012-2.5-Z	2.50	1.00	0.120
LPX-1112-2.5-Z	2.50	1.10	0.120
LPX-1116-2.5-Z	2.50	1.10	0.160
LPX-1516-2.5-Z	2.50	1.50	0.160
LPX-1523-2.5-Z	2.50	1.50	0.236
LPX-2023-2.5-Z	2.50	2.00	0.236
LPX-0708-3.0-Z	3.00	0.75	0.080
LPX-1012-3.0-Z	3.00	1.00	0.120
LPX-1116-3.0-Z	3.00	1.10	0.160
LPX-1516-3.0-Z	3.00	1.50	0.160
LPX-2023-3.0-Z	3.00	2.00	0.236
LPX-0708-3.5-Z	3.50	0.75	0.080
LPX-1012-3.5-Z	3.50	1.00	0.120
LPX-1116-3.5-Z	3.50	1.10	0.160
LPX-1516-3.5-Z	3.50	1.50	0.160
LPX-2023-3.5-Z	3.50	2.00	0.236
LPX-0708-3.75-Z	3.75	0.75	0.080
LPX-1012-3.75-Z	3.75	1.00	0.120
LPX-1116-3.75-Z	3.75	1.10	0.160
LPX-1516-3.75-Z	3.75	1.50	0.160
LPX-1531-3.75-Z	3.75	1.50	0.310
LPX-2023-3.75-Z	3.75	2.00	0.236

P A R T N U M B E R			
(All units in inches)	FL @ 10.6μm	D	ET
LPX-0708-4.0-Z	4.00	0.75	0.080
LPX-1012-4.0-Z	4.00	1.00	0.120
LPX-1116-4.0-Z	4.00	1.10	0.160
LPX-1516-4.0-Z	4.00	1.50	0.160
LPX-2023-4.0-Z	4.00	2.00	0.236
LPX-0508-5.0-Z	5.00	0.50	0.080
LPX-0708-5.0-Z	5.00	0.75	0.080
LPX-1008-5.0-Z	5.00	1.00	0.080
LPX-1012-5.0-Z	5.00	1.00	0.120
LPX-1016-5.0-Z	5.00	1.00	0.160
LPX-1023-5.0-Z	5.00	1.00	0.236
LPX-1108-5.0-Z	5.00	1.10	0.080
LPX-1112-5.0-Z	5.00	1.10	0.120
LPX-1116-5.0-Z	5.00	1.10	0.160
LPX-1123-5.0-Z	5.00	1.10	0.236
LPX-1512-5.0-Z	5.00	1.50	0.120
LPX-1516-5.0-Z	5.00	1.50	0.160
LPX-1523-5.0-Z	5.00	1.50	0.236
LPX-1531-5.0-Z	5.00	1.50	0.310
LPX-2012-5.0-Z	5.00	2.00	0.120
LPX-2023-5.0-Z	5.00	2.00	0.236
LPX-2031-5.0-Z	5.00	2.00	0.310
LPX-0508-7.5-Z	7.50	0.50	0.080
LPX-0708-7.5-Z	7.50	0.75	0.080
LPX-1008-7.5-Z	7.50	1.00	0.080
LPX-1012-7.5-Z	7.50	1.00	0.120
LPX-1023-7.5-Z	7.50	1.00	0.236
LPX-1108-7.5-Z	7.50	1.10	0.080
LPX-1123-7.5-Z	7.50	1.10	0.236
LPX-1131-7.5-Z	7.50	1.10	0.315
LPX-1516-7.5-Z	7.50	1.50	0.160
LPX-1523-7.5-Z	7.50	1.50	0.236
LPX-1531-7.5-Z	7.50	1.50	0.315
LPX-2020-7.5-Z	7.50	2.00	0.200
LPX-2031-7.5-Z	7.50	2.00	0.310
LPX-2039-7.5-Z	7.50	2.00	0.390
LPX-1012-10.0-Z	10.00	1.00	0.120
LPX-1116-10.0-Z	10.00	1.10	0.160
LPX-1516-10.0-Z	10.00	1.50	0.160
LPX-2023-10.0-Z	10.00	2.00	0.236

ORDERING EXAMPLE:

LPX - 0508 - 3.75 - Z

↑ PRODUCT CODE ↑ DIAMETER - THICKNESS ↑ FOCAL - LENGTH ↑ MATERIAL