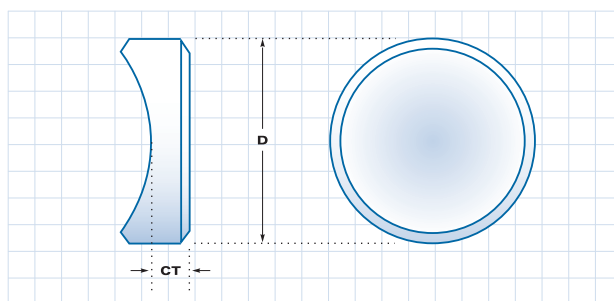


SPECIFICATIONS

Material:	BK7, UVFS
Surface Flatness:	< /10 @ 633nm
Surface Quality:	< 10/5
Diameter Tolerance:	+0.00 / -0.25mm
Thickness Tolerance:	±0.25mm
Centering Error:	< 3 arcmin
Focal Length Tolerance:	±0.5%
Bevel:	0.35mm FW @ 45°
Clear Aperture:	> 90% of diameter



P A R T N U M B E R					
BK7	FL	FL	D	ROC	CT
	633nm	1064nm	(All units in mm)		
LPC-10.0-25-B	-25	-25.4	10.0	12.9	2.5
LPC-12.7-25-B	-25	-25.4	12.7	12.9	2.5
LPC-19.0-25-B	-25	-25.4	19.0	12.9	2.5
LPC-10.0-50-B	-50	-50.9	10.0	25.8	2.5
LPC-12.7-50-B	-50	-50.9	12.7	25.8	2.5
LPC-19.0-50-B	-50	-50.9	19.0	25.8	2.5
LPC-25.4-50-B	-50	-50.9	25.4	25.8	3.0
LPC-12.7-75-B	-75	-76.1	12.7	38.6	2.5
LPC-19.0-75-B	-75	-76.1	19.0	38.6	2.5
LPC-25.4-75-B	-75	-76.1	25.4	38.6	3.0
LPC-38.1-75-B	-75	-76.1	38.1	38.6	3.0
LPC-12.7-100-B	-100	-101.6	12.7	51.5	2.5
LPC-19.0-100-B	-100	-101.6	19.0	51.5	2.5
LPC-25.4-100-B	-100	-101.6	25.4	51.5	3.0
LPC-38.1-100-B	-100	-101.6	38.1	51.5	3.0
LPC-50.8-100-B	-100	-101.6	50.8	51.5	4.0
LPC-12.7-125-B	-125	-127.0	12.7	64.4	2.5
LPC-19.0-125-B	-125	-127.0	19.0	64.4	2.5
LPC-25.4-125-B	-125	-127.0	25.4	64.4	3.0
LPC-38.1-125-B	-125	-127.0	38.1	64.4	3.0
LPC-50.8-125-B	-125	-127.0	50.8	64.4	4.0
LPC-12.7-150-B	-150	-152.5	12.7	77.3	3.0
LPC-25.4-150-B	-150	-152.5	25.4	77.3	3.0
LPC-50.8-150-B	-150	-152.5	50.8	77.3	4.0
LPC-12.7-200-B	-200	-203.2	12.7	103.0	3.0
LPC-25.4-200-B	-200	-203.2	25.4	103.0	3.0
LPC-50.8-200-B	-200	-203.2	50.8	103.0	5.0
LPC-25.4-250-B	-250	-254.0	25.4	128.8	4.0
LPC-50.8-250-B	-250	-254.0	50.8	128.8	6.0
LPC-25.4-300-B	-300	-304.7	25.4	154.5	4.0
LPC-50.8-300-B	-300	-304.7	50.8	154.5	6.0
LPC-25.4-500-B	-500	-507.9	25.4	257.5	4.0
LPC-50.8-500-B	-500	-507.9	50.8	257.5	7.0
LPC-25.4-1000-B	-1000	-1015.8	25.4	515.0	4.0
LPC-50.8-1000-B	-1000	-1015.8	50.8	515.0	7.6
LPC-25.4-2000-B	-2000	-2031.6	25.4	1030.0	4.0
LPC-50.8-2000-B	-2000	-2031.6	50.8	1030.0	8.0
LPC-25.4-5000-B	-5000	-5078.9	25.4	2575.0	4.0
LPC-50.8-5000-B	-5000	-5078.9	50.8	2575.0	8.0

P A R T N U M B E R					
UVFS	FL	FL	D	ROC	CT
	266nm	1064nm	(All units in mm)		
LPC-10.0-25-U	-25	-27.8	10.0	12.5	2.5
LPC-12.7-25-U	-25	-27.8	12.7	12.5	2.5
LPC-19.0-25-U	-25	-27.8	19.0	12.5	2.5
LPC-10.0-50-U	-50	-55.7	10.0	25.0	2.5
LPC-12.7-50-U	-50	-55.7	12.7	25.0	2.5
LPC-19.0-50-U	-50	-55.7	19.0	25.0	2.5
LPC-25.4-50-U	-50	-55.7	25.4	25.0	3.0
LPC-12.7-75-U	-75	-83.5	12.7	37.5	2.5
LPC-19.0-75-U	-75	-83.5	19.0	37.5	2.5
LPC-25.4-75-U	-75	-83.5	25.4	37.5	3.0
LPC-38.1-75-U	-75	-83.5	38.1	37.5	3.0
LPC-12.7-100-U	-100	-111.4	12.7	50.0	2.5
LPC-19.0-100-U	-100	-111.4	19.0	50.0	2.5
LPC-25.4-100-U	-100	-111.4	25.4	50.0	3.0
LPC-38.1-100-U	-100	-111.4	38.1	50.0	3.0
LPC-50.8-100-U	-100	-111.4	50.8	50.0	4.0
LPC-12.7-125-U	-125	-139.2	12.7	62.5	2.5
LPC-19.0-125-U	-125	-139.2	19.0	62.5	2.5
LPC-25.4-125-U	-125	-139.2	25.4	62.5	3.0
LPC-38.1-125-U	-125	-139.2	38.1	62.5	3.0
LPC-50.8-125-U	-125	-139.2	50.8	62.5	4.0
LPC-12.7-150-U	-150	-167.0	12.7	75.0	3.0
LPC-25.4-150-U	-150	-167.0	25.4	75.0	3.0
LPC-50.8-150-U	-150	-167.0	50.8	75.0	4.0
LPC-12.7-200-U	-200	-222.7	12.7	100.0	3.0
LPC-25.4-200-U	-200	-222.7	25.4	100.0	3.0
LPC-50.8-200-U	-200	-222.7	50.8	100.0	5.0
LPC-25.4-250-U	-250	-278.4	25.4	125.0	4.0
LPC-50.8-250-U	-250	-278.4	50.8	125.0	6.0
LPC-25.4-300-U	-300	-334.1	25.4	150.0	4.0
LPC-50.8-300-U	-300	-334.1	50.8	150.0	6.0
LPC-25.4-500-U	-500	-556.8	25.4	250.0	4.0
LPC-50.8-500-U	-500	-556.8	50.8	250.0	7.0
LPC-25.4-1000-U	-1000	-1113.6	25.4	500.0	4.0
LPC-50.8-1000-U	-1000	-1113.6	50.8	500.0	7.6
LPC-25.4-2000-U	-2000	-2227.2	25.4	1000.0	4.0
LPC-50.8-2000-U	-2000	-2227.2	50.8	1000.0	8.0
LPC-25.4-5000-U	-5000	-5567.9	25.4	2500.0	4.0
LPC-50.8-5000-U	-5000	-5567.9	50.8	2500.0	8.0

ORDERING EXAMPLE:

LPC - **38.1** - **100** - **U**

↑ PRODUCT CODE ↑ DIAMETER ↑ FOCAL LENGTH ↑ MATERIAL